

RTWF G

Water-cooled packaged helical-rotary chillers and heat pumps

General Characteristics*

- Cooling capacity from 740 to 1420kW**
- EER** up to 5.3
- ESEER** up to 6.9
- IPLV up to 7.0

* Preliminary data, Subject to changes

- Final Data will be submitted to Eurovent and AHRI during 2nd Quarter 2017

- New Product Introduction which is not certified in accordance with AHRI Water-Cooled Water-Chilling and Heat Pump Water-Heating Packages Certification Program, but is rated in accordance with AHRI Standard 550/590 (I-P).

Main features



- 3 different levels of efficiency
 - SE and HE: Fixed Speed Compressor
 - HSE: Trane Adaptive Frequency™ Drive (AFD)
- Dual circuit and multiple compressors
- Low-speed, direct-drive semi-hermetic helical rotary compressor, suction-gas-cooled motor
- Trane patented CHIL Evaporator
- Fully modulating load control (minimum 15% - 100%)
- UC800 + TD7 displays adaptive Control™ microprocessor system enhances chiller by providing the latest chiller control technology
- Variable Primary Flow full compatibility
- BacNet MSTP & IP, Modbus, Lontalk communication



Options

- Ice Making (R134a)
- Right hand or Left hand connections
- Sound attenuation package

Accessories

- Flow Switch
- Anti-vibration accessories : neoprene isolators

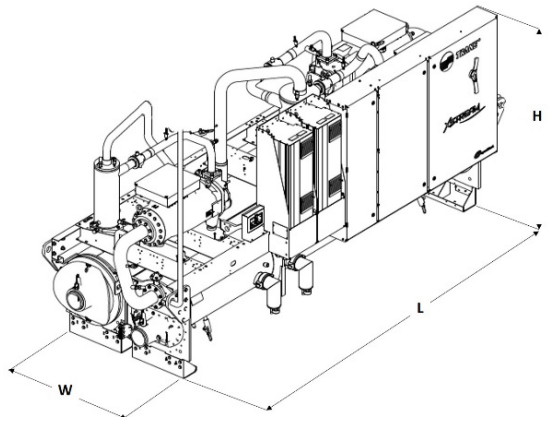
Performances*

	RTWF SE G						RTWF HE G					
	220 SE G	240 SE G	280 SE G	300 SE G	320 SE G	360 SE G	220 HE G	240 HE G	280 HE G	300 HE G	320 HE G	360 HE G
Number of compressors	3			4			3			4		
Cooling Capacity (kW) (1)	737	790	879	1010	1101	1191	752	807	900	1024	1118	1210
EER (1)	4.8	4.7	4.7	5.0	4.9	4.9	5.1	5.1	5.1	5.3	5.2	5.2
ESEER (1)	6.1	6.2	6.5	6.6	6.7	6.6	6.4	6.5	6.5	6.6	6.9	6.7
IPLV (2)	6.7	6.8	6.7	6.7	6.8	6.7	6.7	6.9	6.8	6.9	7.0	6.9
Heating Capacity (kW) (3)	826	886	988	1119	1223	1325	832	892	996	1124	1229	1332
COP (3)	4.7	4.6	4.6	4.8	4.8	4.8	4.9	4.9	4.9	5.1	5.0	5.0
Heating Capacity (kW) (4)	781	837	934	1055	1155	1252	792	850	949	1070	1171	1271
COP (4)	3.8	3.8	3.8	4.0	3.9	3.9	4.1	4.1	4.1	4.2	4.1	4.1
Heating Capacity (kW) (5)	-	781	874	-	1080	1173	747	802	897	1008	1105	1201
COP (5)	-	3.0	3.0	-	3.1	3.1	3.3	3.3	3.3	3.3	3.3	3.3
Cooling Capacity (kW) (6)	735	788	876	1008	1098	1188	749	805	897	1022	1115	1207
EER (6)	4.6	4.6	4.5	4.9	4.8	4.7	4.9	5.0	4.9	5.1	5.1	5.0
ESEER (6)	5.6	5.6	5.8	6.0	6.1	5.9	5.9	6.0	6.0	6.2	6.4	6.3
Heating Capacity (kW) (7)	828	888	991	1121	1226	1329	833	894	997	1125	1231	1334
COP (7)	4.5	4.5	4.4	4.7	4.6	4.6	4.7	4.8	4.7	4.9	4.9	4.8
Heating Capacity (kW) (8)	781	837	935	1056	1156	1253	794	851	951	1072	1173	1273
COP (8)	3.7	3.7	3.7	3.9	3.8	3.8	4.0	4.0	4.0	4.1	4.0	4.0
Heating Capacity (kW) (9)	-	781	876	986	1081	1174	748	803	898	1009	1106	1202
COP (9)	-	3.0	3.0	3.1	3.1	3.1	3.2	3.2	3.2	3.3	3.3	3.2
Length (mm)	4784	4784	4784	4784	4784	4784	4784	4784	4784	4784	4784	4784
Width (mm)	1727	1727	1727	1823	1823	1823	1727	1727	1727	1823	1823	1823
Height (mm)	2032	2032	2032	2135	2135	2135	2032	2032	2032	2135	2135	2135

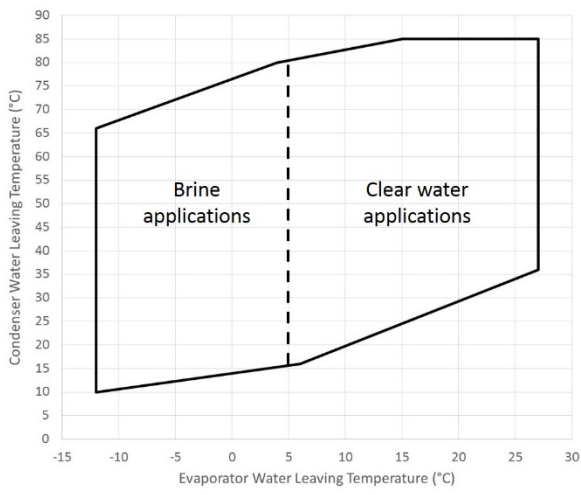
	RTWF HSE G							
	220 HSE G	240 HSE G	280 HSE G	300 HSE G	320 HSE G	360 HSE G	380 HSE G	420 HSE G
Number of compressors	3			4				
Cooling Capacity (kW) (1)	749	804	900	1024	1118	1215	1313	1421
EER (1)	5.0	5.0	5.0	5.2	5.1	5.1	4.9	4.7
ESEER (1)	6.4	6.8	6.8	6.6	6.9	6.8	6.8	6.6
IPLV (2)	6.8	6.9	6.9	6.9	7.0	6.9	7.0	6.9
Heating Capacity (kW) (3)	832	892	1000	1127	1232	1341	1461	1589
COP (3)	4.9	4.9	4.9	5.0	5.0	5.0	4.9	4.8
Heating Capacity (kW) (4)	793	850	951	1073	1174	1278	1398	1519
COP (4)	4.0	4.0	4.0	4.1	4.1	4.1	4.0	4.0
Heating Capacity (kW) (5)	748	802	896	1011	1108	1204	1325	1438
COP (5)	3.2	3.2	3.2	3.3	3.3	3.2	3.2	3.2
Cooling Capacity (kW) (6)	746	802	897	1022	1115	1212	1308	1416
EER (6)	4.9	4.9	4.8	5.1	5.0	5.0	4.8	4.6
ESEER (6)	6.0	6.3	6.2	6.3	6.4	6.3	6.2	6.0
Heating Capacity (kW) (7)	833	893	1001	1128	1234	1343	1463	1599
COP (7)	4.7	4.7	4.6	4.9	4.8	4.8	4.6	4.5
Heating Capacity (kW) (8)	794	852	953	1075	1176	1280	1401	1531
COP (8)	3.9	3.9	3.9	4.0	4.0	4.0	3.9	3.8
Heating Capacity (kW) (9)	749	803	897	1012	1110	1205	1326	1445
COP (9)	3.2	3.2	3.1	3.3	3.2	3.2	3.2	3.1
Length (mm)	4784	4784	4784	4784	4784	4784	4784	4784
Width (mm)	1727	1727	1727	1823	1823	1823	1823	1823
Height (mm)	2032	2032	2032	2135	2135	2135	2135	2135

(1) at 12/7°C Entering/Leaving evaporator and 30/35°C Entering/Leaving condenser
 (2) according to AHRI Standard 550/590
 (3) at 10/7°C Entering/Leaving evaporator and 40/45°C Entering/Leaving condenser
 (4) at 10/7°C Entering/Leaving evaporator and 47/55°C Entering/Leaving condenser
 (5) at 10/7°C Entering/Leaving evaporator and 55/65°C Entering/Leaving condenser
 (6) at 12/7°C Entering/Leaving evaporator and 30/35°C Entering/Leaving condenser and according to EN14511-2013
 (7) at 10/7°C Entering/Leaving evaporator and 40/45°C Entering/Leaving condenser and according to EN14511-2013
 (8) at 10/7°C Entering/Leaving evaporator and 47/55°C Entering/Leaving condenser and according to EN14511-2013
 (9) at 10/7°C Entering/Leaving evaporator and 55/65°C Entering/Leaving condenser and according to EN14511-2013
 Shaded areas indicate the use of a 2 pass condenser

*Preliminary data, Subject to changes
 - Final Data will be submitted to Eurovent and AHRI during 2nd Quarter 2017
 - New Product Introduction which is not certified in accordance with AHRI Water-Cooled Water-Chilling and Heat Pump Water-Heating Packages Certification Program, but is rated in accordance with AHRI Standard 550/590 (I-P).



Operating Limits



Trane optimizes the performance of homes and buildings around the world. A business of Ingersoll Rand, the leader in creating and sustaining safe, comfortable and energy efficient environments, Trane offers a broad portfolio of advanced controls and HVAC systems, comprehensive building services, and parts.

For more information, visit www.Trane.eu.

Trane has a policy of continuous product and product data improvement and reserves the right to change design and specifications without notice.

